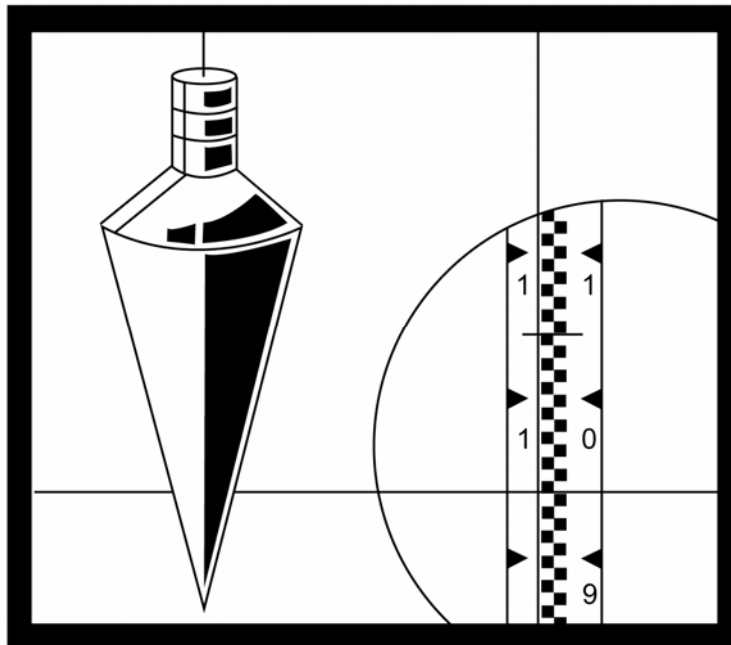




# Loss Prevention and Practice Management Guide: Professional Liability Insurance Issues for Canadian Land Surveyors



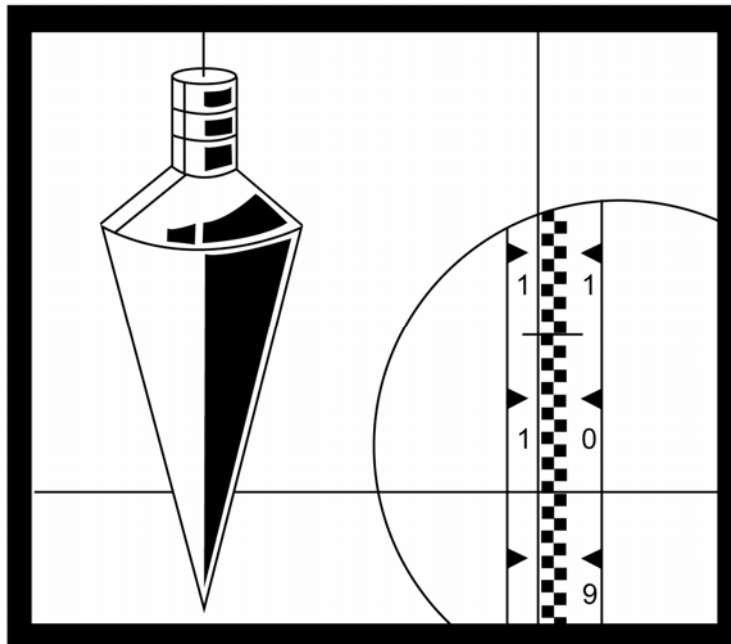
Produced in co-operation with:



JARDINE LLOYD THOMPSON CANADA  
Inc



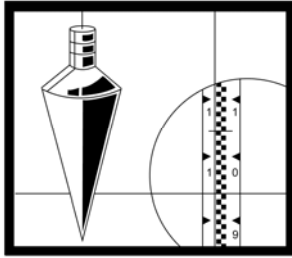
## Loss Prevention and Practice Management Guide: Professional Liability Insurance Issues for Canadian Land Surveyors



Produced in co-operation with:



JARDINE LLOYD THOMPSON CANADA  
Inc



***Loss Prevention and Practice Management Guide:***  
Professional Liability Insurance Issues for  
Canadian Land Surveyors

Please refer to this listing of updates and revisions to insure that any paper copy of this Guide is current. Each page of the Guide has a date in the footer indicating the month and year that the page was created.

**Initial Publication**

**December 2002**

## ***Updates***

---

<b>Section</b>	<b>Section Description &amp; Revision</b>	<b>Date</b>
--	Table of Contents – new Bulletin	October 2008
6.2 and 6.9	Jardine’s new address; new feature and New points	October 2008
7.1	New Bulletin (Towards Achieving Measurement Redundancy)	April 2008
3.3	Revised contact information	April 2008
--	Table of Contents updated; New cover and section pages	April 2008
6	New Section 6.9 – copy of new Apples & Oranges brochure; new section 6.3.6 General Liability vs Professional Liability Insurance; revised page numbers (pages 6-12 to 6-28)	April 2008
5	New Claim/Incident Report form, new Checklist, and new Preliminary Interview or Fact Sheet	March 2008
6	Revised contact information	March 2008

---

<b>Section</b>	<b>Section Description &amp; Revision</b>	<b>Date</b>
1, Cover	Added new CCLS logo	March 2008
4.3.3	New Article – Towards Achieving Measurement Redundancy	March 2008

## ***Updates prior to 2008:***

---

<b>Section</b>	<b>Section Description &amp; Revision</b>	<b>Date</b>
--	Table of Contents updated	December 2007
6	Copy of new PLIP brochure with new contact information	December 2007
4.3.2	New article – The Three C’s of Construction Layout: Not Just Check, Check, Check	May 2007
7.1	New Bulletin (Surveyors, Records and Limitation Acts)	July 2006
7.1	New bulletin (Land Surveyors and Contracts)	May 2005
3.2	Contracting Surveying Services - revised text and new email address; added <i>Updates</i> page to this manual	January 2005
--	Table of Contents updated	January 2005
4.3	New section – Addressing Specific Areas of Exposure	January 2005
4.3.1	New article - Measurement Practices in Construction Layout	January 2005
5.2	Claim/Incident Report form – Jardine’s change of address	January 2005
6.2.4	ENCON contacts updated	January 2005
6.2.7	New section – Providing Feedback, Feedback form	January 2005
6	Entire section – revised page numbering	January 2005
7.1	New bulletins	January 2005
5.2	Fact Sheet form – ENCON’s change of address	September 2004

## ***Updates***



---

<b>Section</b>	<b>Section Description &amp; Revision</b>	<b>Date</b>
5.2	Claim/Incident Report form – ENCON’s change of address	September 2004
2.2	Checklists – new email address	September 2004
6.2	The CCLS Professional Liability Insurance Committee & Program - revised	April 2004