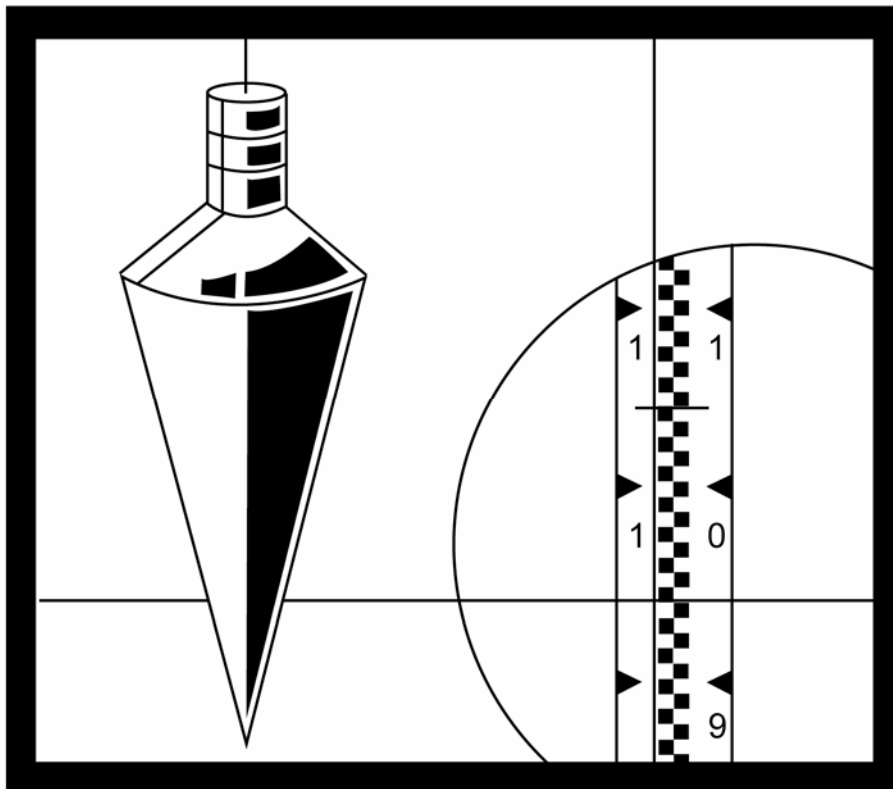


Section 7. Loss Control Bulletins



7.1 Introduction

In collaboration with the CCLS and the program broker, Jardine Lloyd Thompson Canada Inc., ENCON Group Inc. has prepared a set of Loss Control Bulletins specifically for Land Surveyors. As issues have arisen, we

have prepared these articles to help land surveyors with daily practice issues.

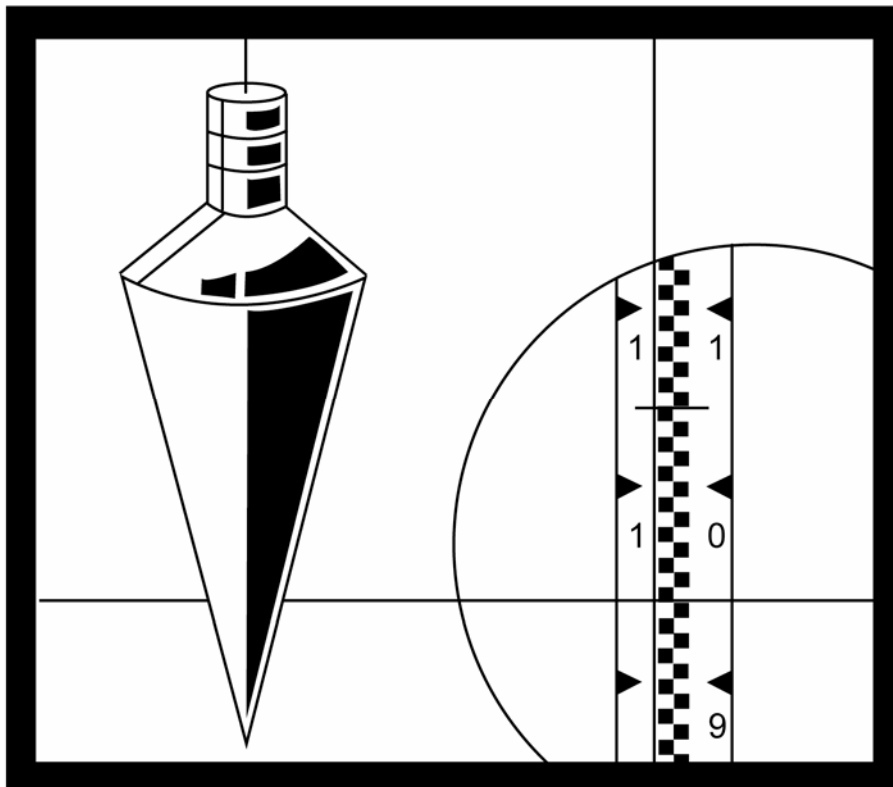
These Loss Control Bulletins can also be found posted on the ENCON web site at <http://www.encon.ca/English/resources/LossControlInformation/Bulletins/Pages/default.aspx>.

The Bulletins are as follows:

#13	February 2008	Towards Achieving Measurement Redundancy
#12	July 2006	Surveyors, Records and Limitation Acts
#11	May 2005	Land Surveyors and Contracts
#10	November 2004	Property records research and risk evaluation for land surveyors
#9	May 2003	Construction layouts and 'simple' errors
#8	December 2001	Certified Correct
#7	December 2000	Professional Liability Insurance Upon Retirement – 2000 Program Update
#6	June 2000	Errors & Omissions Insurance Premiums
#5	September 1998	Liability – To Tell or Not to Tell, That is the Question
#4	September 1997	Measuring Practices on Wellsite Surveys
#3	November 1996	Measurement
#2	June 1995	(replaced by Bulletin # 7)
#1	February 1994	Professional Liability Insurance for Land surveyors: What is your liability and what does your policy cover?

There is valuable information in each bulletin in the series, even the older articles. We hope that you will take the time to read these informative articles and be aware of their contents so that, when related matters arise, you might refer to them for some assistance.

Section 8.
Records & Correspondence



8.1 Introduction

This section is included in the Guide to facilitate your own record keeping. It provides a convenient place for your records and correspondence related to professional liability materials or claims.